



solo per professionisti

Sirman Spa
 Viale dell'Industria 9/11
 35010 PIEVE DI CURTAROLO (PD), Italy
 Tel./Fax. +39 049 9698666 / +39 049 9698688
 email: info@sirman.com



Sirman Pizza Dough Mixers , model Hercules 5-10-15 :

- Made from large thickness steel.
- Scratch resistant powder coating.
- Bowl with reinforced edge and AISI 304 S/S shaft.
- Forged spiral tool.
- High efficiency ventilated motor.
- Reinforced chain drive.
- Low voltage IP67 protection rated controls.
- Available with timer for mod. 10-15.
- This mixers are suitable for all kinds of pizza doughs.



Hercules 5

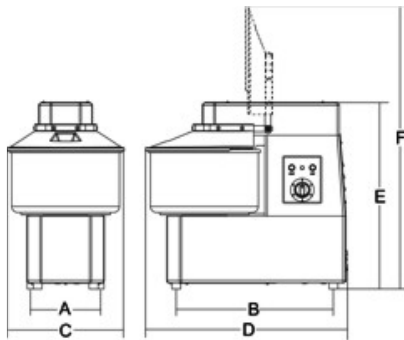


Hercules 10



Timer optional for Hercules 10-15

Data sheet



Technical data

Model	Hercules 5	Hercules 10	Hercules 15
Power	watt 370 - Hp 0,50	watt 370 - Hp 0,50	watt 550 - Hp 0,75
Power source	1ph	1ph/3ph	1ph/3ph
Tank capacity	lt 7 / kg 4	lt 12 / kg 8	lt 16 / kg 12
Tank dimensions	mm ø 265 x h.140	mm ø 280 x h.190	mm ø 320 x h.200
A	mm 220	mm 250	mm 250
B	mm 410	mm 490	mm 500
C	mm 280	mm 305	mm 340
D	mm 505	mm 580	mm 590
E	mm 440	mm 560	mm 560
F	mm 670	mm 825	mm 850
Net weight	kg 35,5	kg 43	kg 48
Shipping	mm 500x630x650	mm 560x760x700	mm 580x760x700
Gross weight	kg 40	kg 55	kg 60
HS-CODE	84388099		